

Please read and understand this entire manual before attempting to assemble, operate or install the product.



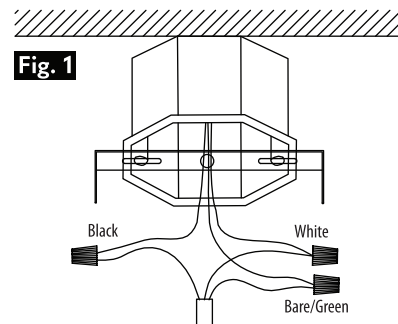
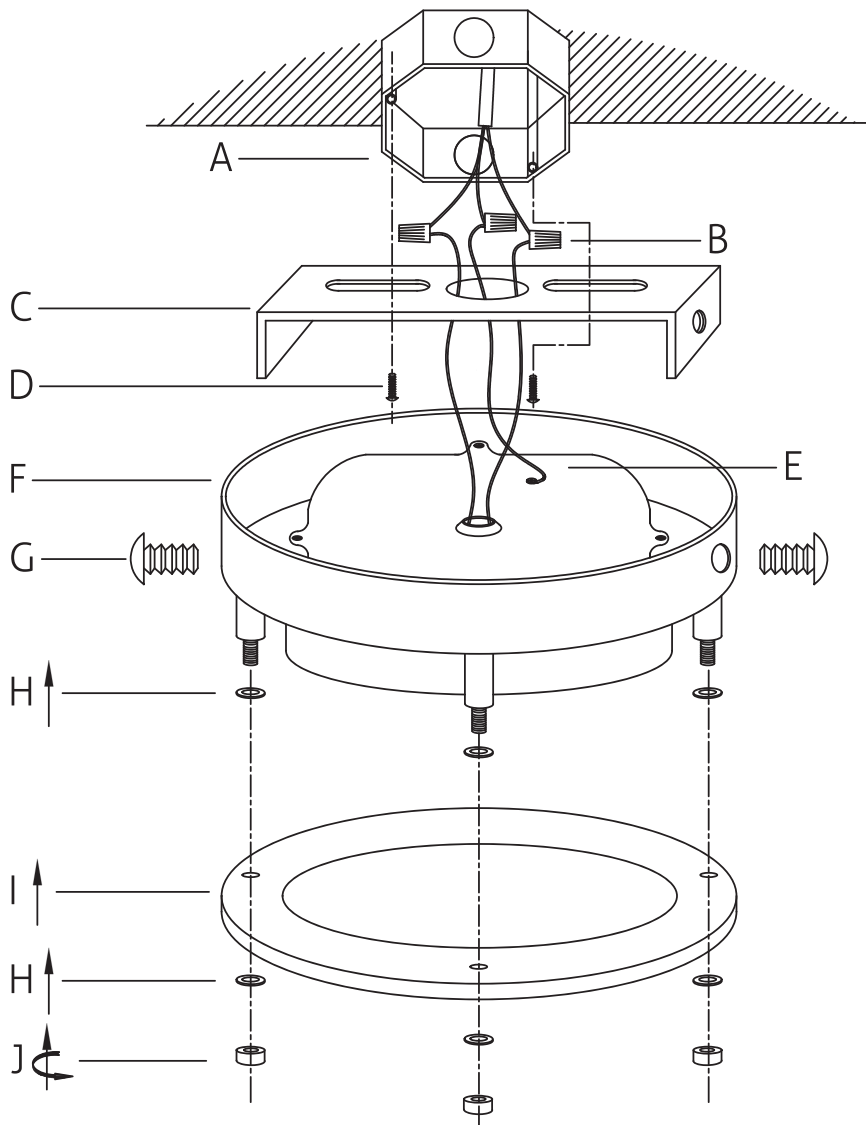
WARNINGS & CAUTIONS: Risk of fire or electric shock. Turn power off before inspection, installation, or removal. Before installation, thoroughly review enclosed installation manual. Turn off electricity at the main fuse box (or circuit breaker box) before beginning installation by removing the fuse (or switching off the circuit breaker). Be careful not to damage or cut the wire insulation (covering) during fixture installation. Do not permit wires to contact any surface having a sharp edge. To do so may damage or cut the wire insulation, which could cause serious injury or death from electric shock. This product must be installed in accordance with the applicable installation code by a person familiar with the construction and operation of the product and the hazards involved. All electrical connections must be in agreement with local codes, ordinances, or the national electric code (NEC). Contact your municipal building department to learn about your local codes, permits, and/or inspections. Do not connect this fixture to an electrical system that does not provide a means for equipment grounding. Never use a fixture in a two-wire system that is not grounded. If you are not sure your lighting system has a grounding means, do not attempt to install this fixture. Contact a qualified, licensed electrician for information with regards to proper grounding methods as required by the local electrical code in your area. If a dimmer control switch is used with this fixture, obtain professional advice to determine the correct type and electrical rating required.

Retain these instructions for future reference.

PRE-INSTALLATION:

1. Before beginning assembly, installation or operation of product, make sure all parts are present. If any part is missing or damaged, do not attempt to assemble, install or operate the product. Contact customer service for replacement parts.
2. Turn off electricity at the main fuse box (or circuit breaker box) before beginning installation by removing the fuse (or switching off the circuit breaker).

Installation



FIXTURE INSTALLATION:

1. Remove crossbar (C) from fixture (F) by unscrewing the fixture screws (G).
2. Secure the crossbar (C) to junction box (A) with mounting screws (D).
3. Connect the black house wire to the black fixture wire with a wire connector (B). Connect the white house wire to the white fixture wire with a wire connector (B). Connect the house grounding wire to copper wire (E) on the light fixture with the wire connector (B). (Fig. 1)
4. Attach fixture (F) to crossbar (C) by tightening the fixture screws (G).
5. Attach the glass ring (I) to fixture (F) with cap nuts (J) and washers (H).